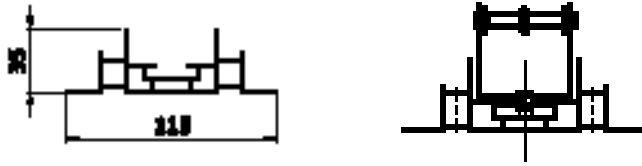
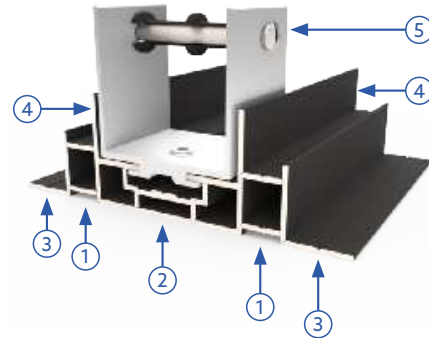




Vertical base profile



| | |
|---|---|
| 1 | FACAFIX screw channel, horizontal and diagonal (30°) |
| 2 | Zone for connector / spacer |
| 3 | Screw lips for additional structures / auxiliary profiles |
| 4 | Guide zone for adjustable suspension brackets |
| 5 | Adjustable suspension bracket BFA-510 |



The BFP-400 profile has been developed **for vertical use** in combination with Facafix facade screws (all diameters). The profile serves as a support structure on the one hand and also acts as a holder for **the adjustable suspension brackets (BFA-510)**, which are used to suspend the facade cassettes by means hooking. The pre-formed channels for the FACAFIX facade screw have been specifically designed and tested (tensile tests) to ensure perfect thread engagement and adhesion between the Facafix screw and the aluminium profile.

Using the **connectors/spacers (BFA-501)**, these profiles can be coupled together seamlessly to ensure **straightness**. These connectors/spacers (BFA-501) also ensure a guaranteed gap of **10 mm to accommodate expansion**. The BFP400 profile is available in standard lengths or cut to size, pre-anodized (black) or unfinished.