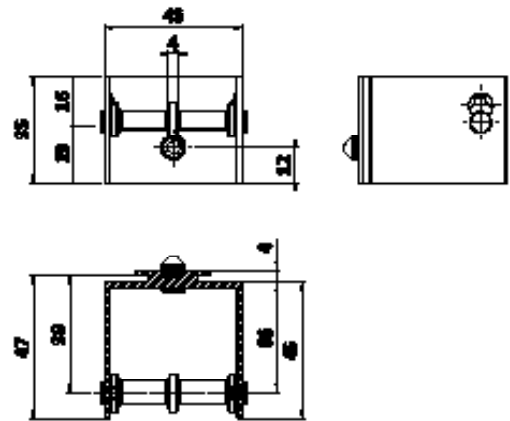
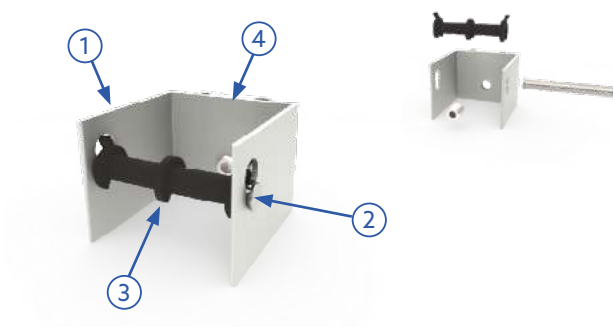


### Adjustable suspension bracket / slider



1	Base profile of the adjustable suspension bracket / slider
2	Inox support bar
3	Plastic spacer for cassettes + locking mechanism for the support shaft
4	Inox M8 set screw for securing the suspension bracket / slider

The BFA-510 adjustable suspension bracket (or slider) is designed to **slide** into the **BFP-400 profile**, allowing the suspension brackets to be set at the correct height. The suspension bracket is secured by tightening the set screw until it engages sufficiently with the BFP-400 profile into which it slides. For large or heavier versions, it may be necessary to install multiple suspension brackets per facade cassette.

BFA-510	Pieces per pack
BFA-501-BAG	50
BFA-501-BOX	250